

C2EFL10VV

ELECTRIC GRIDDLE PLATE SMOOTH + OPEN CABINET - SOLUTION LINE



PRODUCT DESCRIPTION

Stainless steel frame. Athermic thermoset plastic knobs with useful screen printed edges.

Heating obtained through **tubular heating elements with stainless steel sheath** placed in direct contact with the cooking plate.

Temperature regulation through a thermostat. Working temperatures between 90°C and 300°C. Safety thermostat with manual reset against equipment malfunctioning.

Single large, thick cooking plate with smooth finish that allows excellent heat transmission. **Welded splash guard**. The cooking plate is installed on the worktop with a **slight inclination** to allow grease to flow towards the drain.

Two different cooking areas, each provided with its temperature controls. **Smooth cooking plate**.

AISI 304 stainless steel worktop with rounded corners for easy cleaning. Stainless steel front, side and back panels.

Large hole on the cooking surface for draining fats into a large capacity container placed under the cooking surface itself. **Standard equipped** with a grease collection container.

A Teflon plug, suitable to plug the drain in case of any cooking with a film of oil, available **on demand**.

Laser-cut work top finishing for "head-to-head" matching and binding fastening.

Height-adjustable stainless steel legs.

Accessories available **on demand**.



TECHNICAL SPECIFICATIONS

Width: 800 mm

Depth: 700 mm

Height: 850 mm

Weight: 67 kg

Volume: 0.80 m³

Electrical power: 8.20 kW



C2EFL10VV

FRY TOP ELETTRICO PIASTRA LISCIA IN ACCIAIO DOLCE CON PARASPRUZZI + VANO APERTO

PLAQUE A SNACKER ELECTRIQUE LISSE EN ACIER DOUX AVEC PARE-JETS + BAIE LIBRE OUVERTE

ELECTRIC GRIDDLE PLATE SMOOTH MADE OF MILD STEEL WITH SPLASH-GUARDS + OPEN CABINET

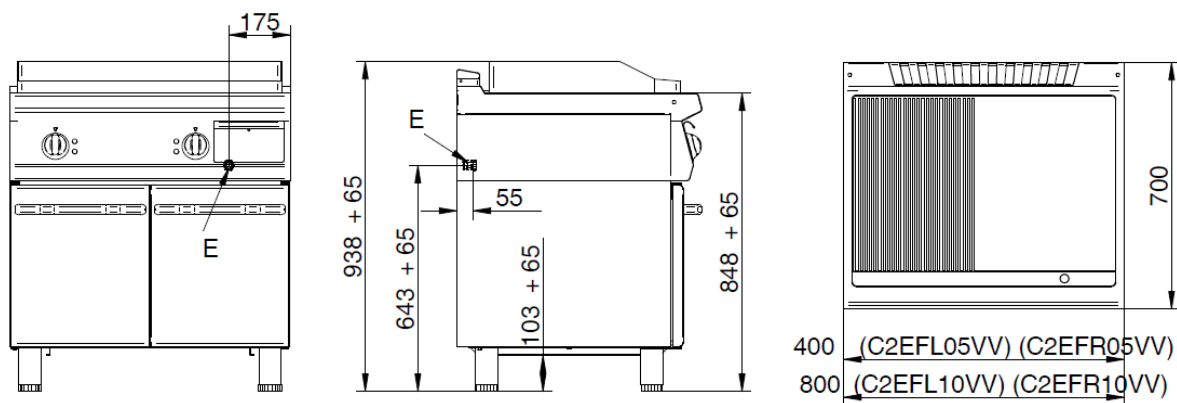
ELEKTROGRIDDLEPLATTE GLATTE BRATFLÄCHE AUS WEICHEM STAHL MIT SPRITZSCHUTZ + UNTERBAU OFFEN

FRY TOP ELECTRICO PLANCHA LISA EN ACIERO DULCE CON CHAPA ANTISALPICADURAS + BASE BIERTA

ЗЛЕКТРМУЕСКАЯ ШАРОУНАЯ НОВЕРХНОСТЬ, РЛАДКАЯ, МЯРКАЯ СТАЛЬ, С ЗАЩМТНЫММ ЗКРАНАММ ОТ БРЫЗР + ОТКРЫТЫ ШКАФ

DATI TECNICI / CARACTERISTIQUES TECHNIQUES / TECHNICAL SPECIFICATIONS / TECHNISCHE DATEN / CARACTERISTICAS TECNICAS / ТЕХНИЧЕСКИЕ ХАРАКТЕРИСТИКИ

Dimensioni / Dimensions / Dimensions / Maße / Medidas / Размеры	[MM]	800x700x850
Potenza elettrica / Puissance électrique / Electric Power / Elektro-Leistung / электр. (E)	[Kw] - [кВт]	8,2
(F)	[V]	400/3N
(G)	[Hz] - [Гц]	50/60
Cavo (non fornito in dotazione) / Cable (non fourni) / Cable (not supplied) / Kabel (nicht mitgeliefert) / Cable / Кабель	H07 RN-F [MM ²]	5 x 2,5
Voltaggi diversi e versioni navali disponibili su richiesta / Différentes tensions et versions maritimes disponibles sur demande / Different voltages and marine versions available on request / Verschiedene Spannungen und Schiffsausführungen auf Anfrage erhältlich / Различные напряжения и варианты исполнения корабля - по запросу		
Piastra liscia in acciaio dolce con paraspruzzi Plaque lisse en acier doux avec pare-jets Smooth plate of mild steel with splash-guards Glatte Bratfläche aus weichem Stahl mit Spritzschutz Plancha lisa en acero dulce con chapa antisalpicaduras Гладкая конфорка Стальная плита с защитными экранами		X



E= elettrico \ électrique \ electric \ Elektrisch \ eléctrico \ электрич

Optional

n.2 x **K7PORTA** Porta - Porte - Door - Tür - Puerta – Дверца