

C2EFR10VV

ELECTRIC GRIDDLE PLATE 1/2 SMOOTH 1/2 GROOVED + OPEN CABINET - SOLUTION LINE



PRODUCT DESCRIPTION

Stainless steel frame. Athermic thermoset plastic knobs with useful screen printed edges.

Heating obtained through **tubular heating elements with stainless steel sheath** placed in direct contact with the cooking plate. Temperature regulation through a thermostat. Working temperatures between 90°C and 300°C. Safety thermostat with manual reset against equipment malfunctioning.

Single large, thick cooking plate with smooth finish that allows excellent heat transmission. **Welded splash guard**. The groove geometry of the grooved cooking plates is such as it can be cleaned with the smooth scraper used for cutting. The cooking plate is installed on the worktop with a **slight inclination** to allow grease to flow towards the drain.

Two different cooking areas, each provided with its temperature controls. **1/2 smooth 1/2 grooved cooking plate**.

AISI 304 stainless steel worktop with rounded corners for easy cleaning. Stainless steel front, side and back panels.

Large hole on the cooking surface for draining fats into a large capacity container placed under the cooking surface itself. **Standard equipped** with a grease collection container.

A Teflon plug, suitable to plug the drain in case of any cooking with a film of oil, available **on demand**.

Laser-cut work top finishing for "head-to-head" matching and binding fastening.

Height-adjustable stainless steel legs.

Accessories available **on demand**.



TECHNICAL SPECIFICATIONS

Width: 800 mm
Depth: 700 mm
Height: 850 mm
Weight: 67 kg
Volume: 0.80 m³
Electrical power: 8.20 kW



C2EFR10VV

FRY TOP ELETTRICO, ½ LISCIO ½ RIGATO, PIASTRA IN ACCIAIO DOLCE CON PARASPRUZZI + VANO APERTO

GRILLADE ÉLECTRIQUE, ½ LISSE ½ NERVURÉE, PLAQUE EN ACIER DOUX AVEC PARE-JETS + BAIE LIBRE OUVERTE

ELECTRIC GRIDDLE PLATE, ½ SMOOTH ½ GROOVED, MILD STEEL PLATE WITH SPLASH GUARD + OPEN CABINET

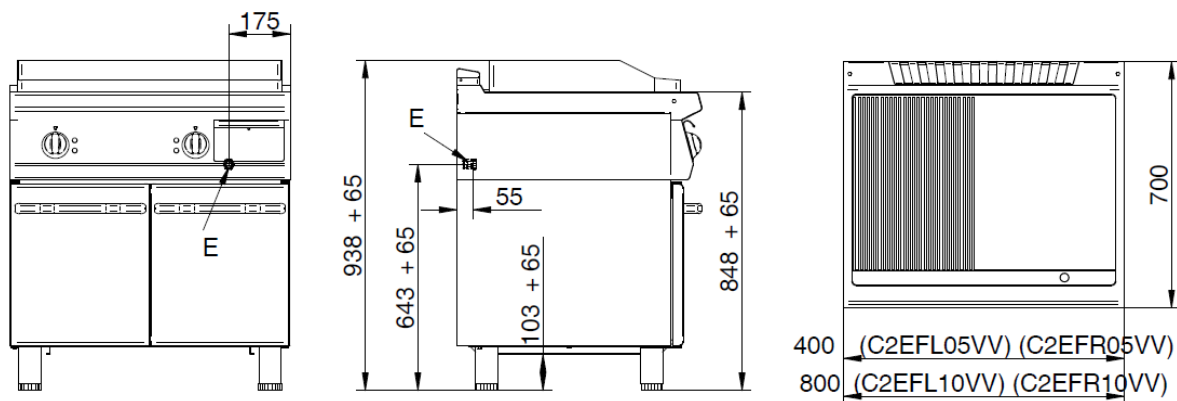
ELEKTRO-GRILLPLATTE, ½ GLATT ½ GERILLT, PLATTE AUS WEICHEM STAHL MIT SPRITZSCHUTZ+OFFENER UNTERSCHRANK

FRY TOP ELÉCTRICO, PLACA ½ LISA ½ RIZADA EN ACERO DULCE CON CHAPA ANTISALPICADURAS + BASE ABIERTA

ЗЛЕКТРМУЕСКАЯ ШАРОУНАЯ НОВЕРХНОСТЬ, ½ РЛАДКАЯ ½ РМФЛЁНАЯ, МЯРКАЯ СТАЛЬ С ЗАЩМТНЫММ ЗКРАНАММ ОТ БРЫЗР + ОТКРЫТЫ ШКАФ

DATI TECNICI / CARACTERISTIQUES TECHNIQUES / TECHNICAL SPECIFICATIONS / TECHNISCHE DATEN / CARACTERISTICAS TECNICAS / ТЕХНИЧЕСКИЕ ХАРАКТЕРИСТИКИ

Dimensioni / Dimensions / Dimensions / Maße / Medidas / Размеры	[MM]	800x700x850
Potenza elettrica / Puissance électrique / Electric Power / Elektro-Leistung / электр. (E)	[Kw] - [кВт]	8,2
(F)	[V]	400/3N
(G)	[Hz] - [Гц]	50/60
Cavo (non fornito in dotazione) / Cable (non fourni) / Cable (not supplied) / Kabel (nicht mitgeliefert) / Cable / Кабель	H07 RN-F [MM ²]	5 x 2,5
Voltaggi diversi e versioni navali disponibili su richiesta / Différentes tensions et versions maritimes disponibles sur demande / Different voltages and marine versions available on request / Verschiedene Spannungen und Schiffsausführungen auf Anfrage erhältlich / Различные напряжения и варианты исполнения корабля - по запросу		
Piastra ½ liscia ½ rigata in acciaio dolce con paraspruzzi Plaque ½ lisse ½ nervurée en acier doux avec pare-jets ½ Smooth ½ grooved plate of mild steel with splash-guards ½ Glatte ½ Gerillte Bratfläche aus weichem Stahl mit Spritzschutz Plancha ½ lisa ½ rizada en acero dulce con chapa antisalpicaduras ½ Гладкая ½ Рифлёная конфорка с защитными экранами		X



E= elettrico \ électrique \ electric \ Elektrisch \ eléctrico \ электрич

Optional

n.2 x **K7PORTA** Porta - Porte - Door - Tür - Puerta – Дверца