

C2GFL10VV

GAS GRIDDLE PLATE SMOOTH + OPEN CABINET - SOLUTION LINE



PRODUCT DESCRIPTION

Stainless steel frame. Athermic thermostatic plastic knobs.

Quick temperature rise and heat retention obtained through **two stabilized flame burners at high performance**, suitable for working at high temperatures. Ignition by electric spark working at 230V 1 phase + neutral.

Thick, round-cornered cooking surface with welded splash guard for easy cleaning. Cooking plate gently sloping towards the fat drain, which is connected to a container under the work top. **Standard equipped with a fat drain container.**

Two different cooking areas, each provided with its temperature controls. **Smooth cooking plate.**

Provided with a safety thermostatic gas cock, which enables the output to be regulated up to 300°C. Safety ensured by a thermocouple kept active by the burner flame.

Laser-cut work top finishing for "head-to-head" matching and binding fastening.

Height-adjustable stainless steel legs.

Tested with natural gas or LPG, according to the user's needs.

Accessories available **on demand**.



TECHNICAL SPECIFICATIONS

Width: 800 mm
Depth: 700 mm
Height: 850 mm
Weight: 54 kg
Volume: 0.38 m³
Electrical power: 0.10 kW
Gas power: 10.50 kW

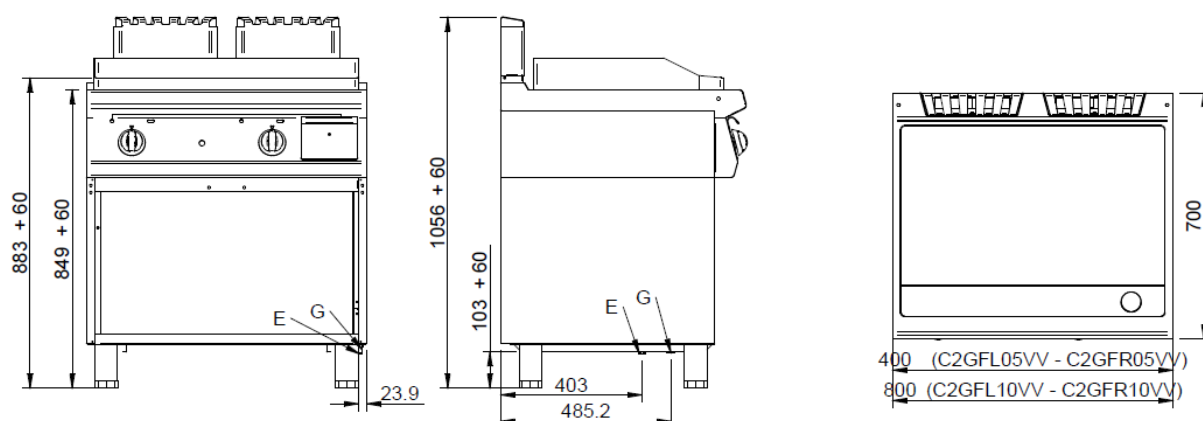


C2GFL10VV

GAS GRIDDLE PLATE SMOOTH TABLE + OPEN CABINET - FRY TOP A GAS LISCIU SU VANO APERTO - GRILLADE À GAZ LISSE + BAIE LIBRE OUVERTE - GASGRIDDLEPLATTE GLATT + UNTERSCHRANK OFFEN - FRY TOP A GAS PLANCHA LISA + BASE ABIERTA - ГАЗОВАЯ ЖАРОЧНАЯ ПОВЕРХНОСТЬ, ГЛАДКАЯ + ОТКРЫТЫЙ ШКАФ

DATI TECNICI / CARACTERISTIQUES TECHNIQUES / TECHNICAL SPECIFICATIONS / TECHNISCHE DATEN / CARACTERISTICAS TECNICAS / ТЕХНИЧЕСКИЕ ХАРАКТЕРИСТИКИ

Dimensioni / Dimensions / Dimensions / Maße / Medidas / Размеры	[мм]	700x800x845
Gas / Gaz / Gas / Gas / Газ (B)	[Kw] - [кВт]	11,4
Tipo / Type / Type / Typ / Тип (A)		A1
GPL/LPG / Сжиженный нефтяной газ (G30) (D)	[Kg/h] [кг/ч]	0,899
Metano / Methane / Natural gas / Erdgas / Метан (G20) (C)	[m3/h] [м3/ч]	1,206
Aria / Air / Luft / Aire / Воздух	[m3/h] [м3/ч]	22,8
Racc. Gas / Racc. Gaz / Gas fitting / Gasanschluss / Empalme gas / Газовое соединение		UNI-ISO 7/1 R ½
Piastra liscia / Plaque lisse / Smooth plate / Glatte Platte/ Plancha lisa / гладкая конфорка		X



G= Gas\Gaz \ Газ