

K4ECUP15VV

ELECTRIC RANGE 6 PLATES + OPEN CABINET



PRODUCT DESCRIPTION

Stainless steel frame. Athermic thermoset plastic knobs with useful screen printed edges.

Heating obtained through **cast iron square electric plates**. Heating elements fixed on the plate bottom, embedded in a layer of insulating material. Each hotplate is provided with a selector, which enables the variation of the heat output **from maximum to minimum in seven positions**. Safety ensured by a temperature limit-switch situated inside the hotplate.

AISI 304 moulded 2 mm-thick work surface presenting a reverse drawing for perfect lodging the electric plates, easy cleaning and avoiding liquid damaging electric parts. Stainless steel AISI 304 front panel.

Laser-cut work top finishing for "head-to-head" matching and binding fastening.

Height-adjustable stainless steel legs.

Accessories available **on demand**.



TECHNICAL SPECIFICATIONS

Width: 1200 mm

Depth: 900 mm

Height: 850 mm

Weight: 120 kg

Volume: 1.43 m³

Electrical power: 24.00 kW



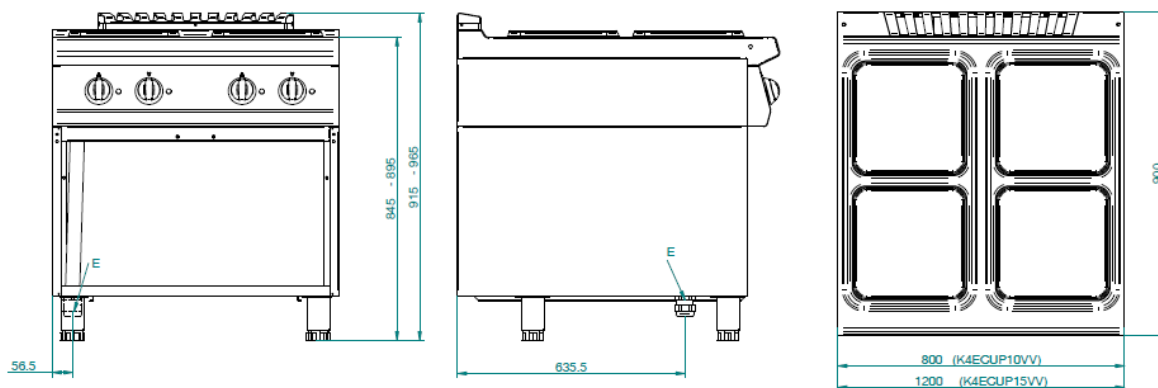
K4ECUP15VV

CUCINA 6 PIASTRE ELETTRICHE + VANO APERTO / FOURNEAU ÉLECTRIQUE 6 PLAQUES+ BAIE LIBRE OUVERTE / ELECTRIC RANGE 6 PLATES + OPEN CABINET / ELEKTROHERD 6 KOCHPLATTEN+ OFFENER UNTERSCHRANK / COCINA ELÉCTRICA 6 PLACAS + BASE ABIERTA / ЭЛЕКТРИЧЕСКАЯ ПЛИТА С 6 КОНФОРКАМИ + ОТКРЫТЫЙ ШКАФ

DATI TECNICI / CARACTERISTIQUES TECHNIQUES / TECHNICAL SPECIFICATIONS / TECHNISCHE DATEN / CARACTERISTICAS TECNICAS / ТЕХНИЧЕСКИЕ ХАРАКТЕРИСТИКИ

Dimensioni / Dimensions / Dimensions / Maße / Medidas / Размеры	[мм]	1200x900x845
Potenza elettrica / Puissance électrique / Electric Power / Elektro-Leistung / электр. (E)	[Kw] - [кВт]	24
(F)	[V]	400/3N
(G)	[Hz] - [Гц]	50/60
Cavo (non fornito in dotazione) / Cable (non fourni) / Cable (not supplied) / Kabel (nicht mitgeliefert) / Cable / Кабель	H07 RN-F [мм ²]	5 x 10
Voltaggi diversi e versioni navali disponibili su richiesta / Différentes tensions et versions maritimes disponibles sur demande / Different voltages and marine versions available on request / Verschiedene Spannungen und Schiffsausführungen auf Anfrage erhältlich / Различные напряжения и варианты исполнения корабля - по запросу		
Piastra / Plaque / Plate / Platte / Placa / Конф. эл.	[Kw] - [кВт]	6 x 4

4 kw <input type="checkbox"/> 30 x 30 cm	4 kw <input type="checkbox"/> 30 x 30 cm	4 kw <input type="checkbox"/> 30 x 30 cm
4 kw <input type="checkbox"/> 30 x 30 cm	4 kw <input type="checkbox"/> 30 x 30 cm	4 kw <input type="checkbox"/> 30 x 30 cm



E= elettrico \ électrique \ electric \ Elektrisch \ eléctrico \ электрич

Optional

n. 3 x **K7PORTA** Porta - Porte - Door - Tür - Puerta - Дверца