

K7GCUS10VVPI

GAS RANGE 4 BURNERS ON OPEN CABINET WITH PILOT FLAME - SOLUTION LINE



PRODUCT DESCRIPTION

Stainless steel frame. Athermic thermoset plastic knobs.

Heating by means of **cast-iron, sealed, stabilised flame and superimposed double crown burners with different power ratings (max. 6.5 kW and 8.2 kW).**

Each burner provided with a safety gas cock, which enables the output to be regulated from maximum to minimum. Safety ensured by a thermocouple kept active by the flame of the pilot burner.

Surface grids made of alkali, acid and fire resistant matt RAAF enamelled cast iron.

Surface grids placed on moulded surfaces with rounded edges and burners hermetically sealed at the top for easy cleaning.

Laser-cut work top finishing for "head-to-head" matching and binding fastening.

Height-adjustable stainless steel legs.

Tested with natural gas or LPG, according to the user's needs.

Accessories available **on demand**.



TECHNICAL SPECIFICATIONS

Width: 800 mm
Depth: 700 mm
Height: 850 mm
Weight: 56 kg
Volume: 0.80 m³
Gas power: 29.40 kW

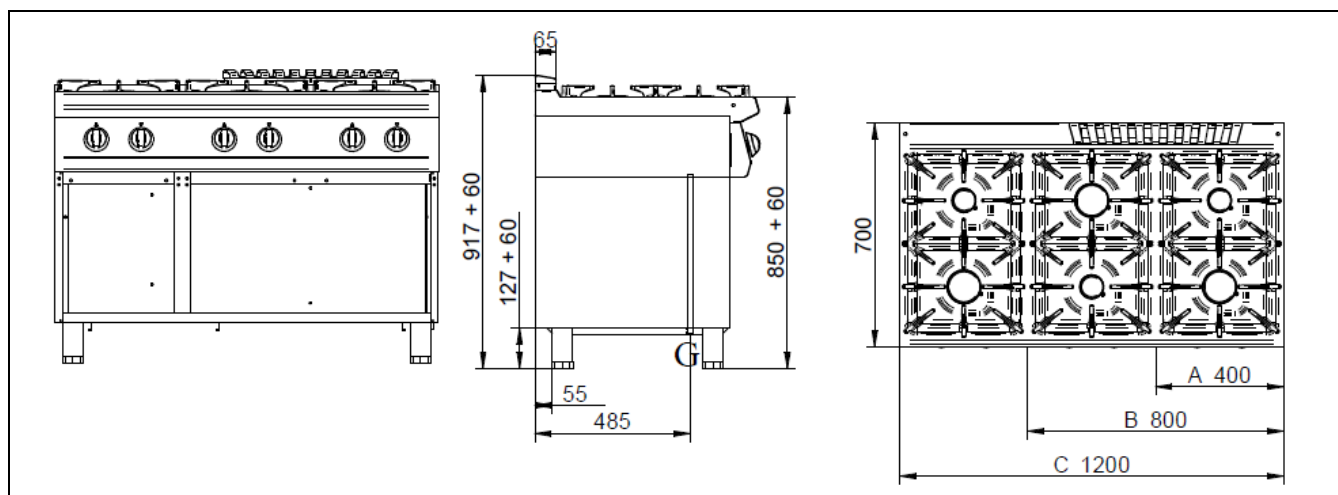


K7GCUS10VVPI

CUCINA GAS 4 FUOCHI + VANO APERTO / FOURNEAU À GAZ 4 BRÛLEURS + BAIE LIBRE OUVERTE / GAS RANGE 4 BURNERS + OPEN CABINET / GASHERD 4 KOCHSTELLEN + OFFENER UNTERSCHRANK / COCINA A GAS 4 QUEMADORES + BASE ABIERTA / ГАЗОВАЯ ПЛИТА С 4 КОНФОРКАМИ + ОТКРЫТЫЙ ШКАФ

DATI TECNICI / CARACTERISTIQUES TECHNIQUES / TECHNICAL SPECIFICATIONS / TECHNISCHE DATEN / CARACTERISTICAS TECNICAS / ТЕХНИЧЕСКИЕ ХАРАКТЕРИСТИКИ

Dimensioni / Dimensions / Dimensions / Maße / Medidas / Размеры	[мм]	800x700x850
Gas / Gaz / Gas / Gas / Газ (B)	[Kw] - [кВт]	29,4
Tipo / Type / Type / Typ / Тип (A)		A1
GPL/LPG / Сжиженный нефтяной газ (G30) (D)	[Kg/h] [кг/ч]	1,972
Metano / Methane / Natural gas / Erdgas / Метан (G20) (C)	[m3/h] [м3/ч]	3,111
Aria / Air / Luft / Aire / Воздух	[m3/h] [м3/ч]	58,8
Racc. Gas / Racc. Gaz / Gas fitting / Gasanschluss / Empalme gas / Газовое соединение		UNI-ISO 7/1 R ½
Brucciatore / Bruleur / Burner / Brenner/Quegador / Горелка (C)	[kW] [кВт]	2 x 6,5
Brucciatore / Bruleur / Burner / Brenner/Quegador / Горелка (D)	[kW] [кВт]	2 x 8,2



A	K7GCUS05VV	6,5 kW	7,7 kW			
	K7GCUS05VVPI	6,5 kW	8,2 kW			
B	K7GCUS10VV	6,5 kW	7,7 kW	7,7 kW	6,5 kW	
	K7GCUS10VVPI	6,5 kW	8,2 kW	8,2 kW	6,5 kW	
C	K7GCUS15VV	6,5 kW	7,7 kW	6,5 kW	7,7 kW	7,7 kW
	K7GCUS15VVPI	6,5 kW	8,2 kW	6,5 kW	8,2 kW	8,2 kW

G = Gas / Gaz / Gas / Gas / Gas / газ

Optional

n. 2 x **K7PORTA** Porta - Porte - Door - Tür - Puerta – Дверца